

Wilkhahn



ON. 170 range.



A new dimension in flexibility.
A natural stimulus for body and mind.
A case of excellent design at its best.

Office chair ON® redefines office seating. At last our bodies can move the way they want while we are sitting down too. At the core of the concept lies Trimension®, three-dimensional mechanics that follow the natural movement of our pelvis, hips and knee joints. The three-dimensional movements activate the entire back without tiring the body. The design is also first class: high quality, spacious and appealing, ON immediately conveys a sense of ease, value and comfort. The chair's design and handling are equally ingenious: by pressing just two buttons to rapidly adjust the counter pressure, ON is ready to go. Armrests, backrest heights and optional seat depth adjustment can be altered while seated without any extra levers. All task-chair and conference models, plus four-legged and cantilever chairs in attractive finishes and covers, tick all the boxes in terms of function and design. Simply seamless solutions.

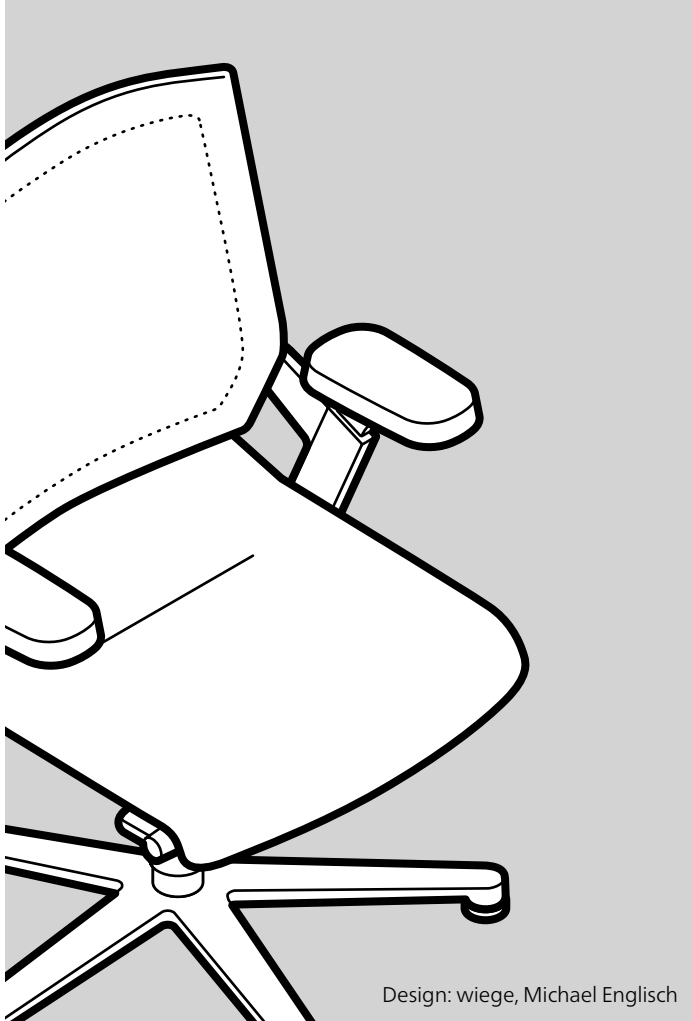






ON. 170 range. Technical details.

Wilkhahn



Design: wiege, Michael Englisch

Function

Task chairs with Trimension®, synchronous, three-dimensional kinematics that encourage three-dimensional dynamic sitting. The coordinated interaction of the technology, seat and back automatically adapts to the user – whatever the posture or motion involved. The supporting counterpressure is quickly and infinitely adjustable in any direction (a max. of 4.5 rotations) for people weighing between 45–120 kg. Backrest height adjustable by up to 60 mm (2³/₈") in six lockable positions. Backrest and seat can be locked in the front sitting position. The seat height is infinitely adjustable between 400 mm (15³/₄") and 520 mm (20¹/₂") with a DIN 4550-compliant gas lift. All models optionally available with seat depth adjustment of 400–450 mm (15³/₄" – 17³/₄"). Conference and visitor chairs with Trimension, on request with pivotable column not height adjustable, alternatively as four-legged type or cantilever chair, optionally stackable.

Frame

Task chairs

Five-star base, optionally with black, through-dyed plastic, or die-cast aluminium, coated (black or silver satin finish), polished or bright chrome plated. Load-dependent braking, twin wheel swivel castors made of black polyamide in accordance with DIN EN 12529 as standard types for carpets; with grey soft polyurethane facing for hard floors. Optional antistatic castors. Shell for the technology made of die-cast shot blasted aluminium, optionally coated in black or silver satin finish, with top cover made of black or through-dyed polypropylene. Gas lift covered by telescopic protective tubing made of black through-dyed polypropylene.

Visitor / conference chairs

Four-star, die-cast aluminium base, coated (black or silver satin finish), polished or bright chrome plated. Black, multi-purpose plastic glides for all types of flooring. Swing plates made of die-cast aluminium, coated (black or silver satin finish), polished or bright chrome plated. Shell for the technology made of die-cast, shot-blasted aluminium, optionally coated in black or silver satin finish, with top cover made of black, through-dyed polypropylene. Gas lift covered by telescopic protective tubing made of black through-dyed polypropylene.

Cantilever chairs

Frame made of bright, chrome plated steel tube, 22 mm (7/₈") in diameter, with anti-tilt stoppers made of black polyamide in the standard version for carpets, optionally with hard polyamide glides for soft floors, soft polyurethane glides for hard floors, or polyamide glides with additional felt insert (e.g. for wooden or stone floors susceptible to scratches). Small plastic parts black through-dyed.

Four-legged visitor chairs

Frame made of bright chrome plated steel tube, legs 22 mm (7/₈") in diameter. Multipurpose POM glides (polyoxymethylene) in black for soft and hard floorings. Small plastic parts black through-dyed.

Subject to change.

You can find our text modules for tenders in our [media center](#)

ON. 170 range. Technical details.

Wilkhahn

Seat

Task, visitor and conference chairs

Highly elastic, flexibly suspended seat shell with seat upholstery panel made of black, through-dyed polypropylene, polyurethane seat cushion covered in the same material as the backrest cover in Fiberflex, or fabric. Seat can be replaced. Models 174/7 and 175/7 optionally with extra padding (with additional cut-foam fleece). In models with management grade upholstery (174/71, 175/71, 171/71) seat cushion with extra padding and side facings, optionally also in leather. Optionally available with seat depth adjustment of 400–450 mm (15¾" – 17¾") for all types of upholstery. Task chair models 174/7, 175/7, 174/71, 175/71 optionally with permanent 6 degree forward seat tilt.

Back

Task, visitor and conference chairs

Elastic back frame, height adjustable by 60 mm (2¾") in six lockable positions, made of through-dyed, fibre glass reinforced polyamide, covered with Fiberflex, optionally also with fabric (with additional padding). Models 174/7 and 175/7 optionally with extra padding (with additional cut-foam fleece). In models with management grade upholstery (models 174/71, 175/71, 171/71) back frame optionally with back cushion too. Backrest upholstery with additional padding, front of backrest also with concealed, cut foam fleece sewn into the cover and with side facings, optionally with leather cover. Medium-high and high back rest, high backrest optionally with headrest (height 16 cm (6¼")), either in the same material as the backrest cover, or covered in leather on the front. Back is replaceable.

Seat and back

Cantilever / four-legged visitor chairs

Unitary shell-frame design made of through-dyed, fibre glass reinforced polypropylene. Seat cushion made of polyurethane moulded foam, in models with management grade upholstery (models 176/71, 178/71) with additional padding and side facings. In models 176/7, 178/7 seat cushions covered in the same material as the backrest cover in Fiberflex or fabric, models 176/71 and 178/71 with management grade upholstery or in leather. Seat can be replaced. Back frame covered in Fiberflex, in models 176/7, 178/7 back optionally covered in fabric. Models with management grade upholstery (176/71 and 178/71) optionally with back cushion in fabric or leather, with additional padding, front of backrest also with concealed, cut foam fleece sewn into the cover and side facings, back cover replaceable.

Armrests

Task chairs

3D armrests made of fibreglass reinforced, black through-dyed polyamide. Armrest pads made of black through-dyed polyurethane (TPU) optionally also made of polyurethane foam and covered in leather if desired. Armrest covers made of black, through-dyed polypropylene. Height of armrests adjustable by 100 mm (3⅞") (eight lockable positions), depth by 40 mm (1⅝"), in each case can be swivelled 30° inwards and outwards.

Visitor / conference chairs

Rigid armrests made of fibreglass-reinforced, black, through-dyed polyamide. Armrest pads made of black through-dyed polyurethane (TPU) optionally also made of polyurethane foam and covered in leather if desired. Armrest covers made of black, through-dyed polypropylene.

Cantilever / four-legged visitor chairs

Armrest covers made of black, through-dyed polypropylene. On non-stackable chairs, optionally with upholstered armrests, when covered in fabric with black leather 74/99, when covered in leather to match the colour of the leather.

Standards

The ON task, visitor and conference chairs comply with office chair standard DIN EN 1335, type A or B, of ANSI / BIFMA X 5.1. If required also available and compliant with NPR 1813.

The ON cantilevers and four-legged visitor chairs comply with DIN EN 13761, DIN EN 1022 and ANSI/BIFMA X5.1.

The ON four-legged task and cantilever chairs qualify for the GS symbol.



Optionally, the ON task, visitor and conference chairs (without headrest) can also be shipped with disassembled backrests in boxes.

All visitor and conference chairs have glides for soft flooring (e.g. carpets). Conference and visitor chairs with Trimension, on request with swivel-mounted column not height adjustable, alternatively as four-legged type or cantilever chair, optionally stackable.

Accessories

Optional for visitor chair, model 176/7: Inline connectors, model 177 made of zinc-plated steel, two-wheeled cart, model 176 for 8 visitor chairs. Optional for cantilever, model 178/7, four-wheeled trolley, model 178 for 8 cantilevers.

Subject to change.

You can find our text modules for tenders in our [media center](#)

ON. 170 range. Product types.

Wilkhahn



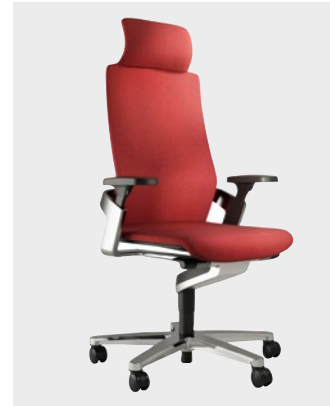
171/7 Meeting/conference chair, medium-height backrest, on glides



174/7 Office task chair, medium-height backrest, on castors



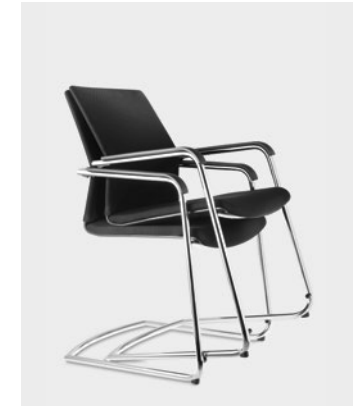
175/7 Office task chair, high back on castors, available on glides too



175/7 Office task chair, high back with headrest, available on glides too



176/7 Meeting/visitor chair, with four legs, normal height backrest



178/7 Cantilever chair, normal height backrest (with management grade upholstery 178/71)



171/71 Meeting/conference chair, medium-height backrest, on glides, management grade upholstery



174/71 Office task chair, medium-height backrest, on castors, management grade upholstery



175/71 Office task chair, high back on castors, management grade upholstery, available on glides too



175/71 Office task chair, high back with headrest, management grade upholstery, available on glides too



176/71 Meeting/visitor chair, with four legs, normal height backrest, management grade upholstery

ON. 170 range. Upholstery types.

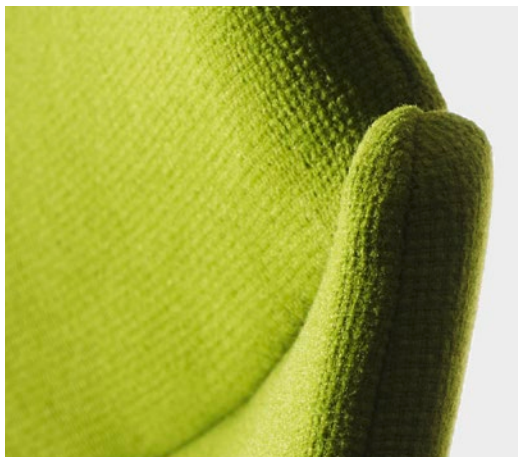
Wilkhahn



Seat and back with Fiberflex fabric



Fiberflex with extra padding



Seat and back covered with fabric



Management grade upholstery in leather

Further upholstery types not pictured

- Seat covered with fabric, back with Fiberflex fabric
- Management grade upholstery in fabric

You can find our current fabric collection in our [media center](#)

ON. 170 range. Frame types.

Wilkhahn



Plastic star base



Swivel arms coated in black or silver



Aluminium bright chrome-plated swivel arms



Polished aluminium star base



Aluminium bright chrome-plated star base

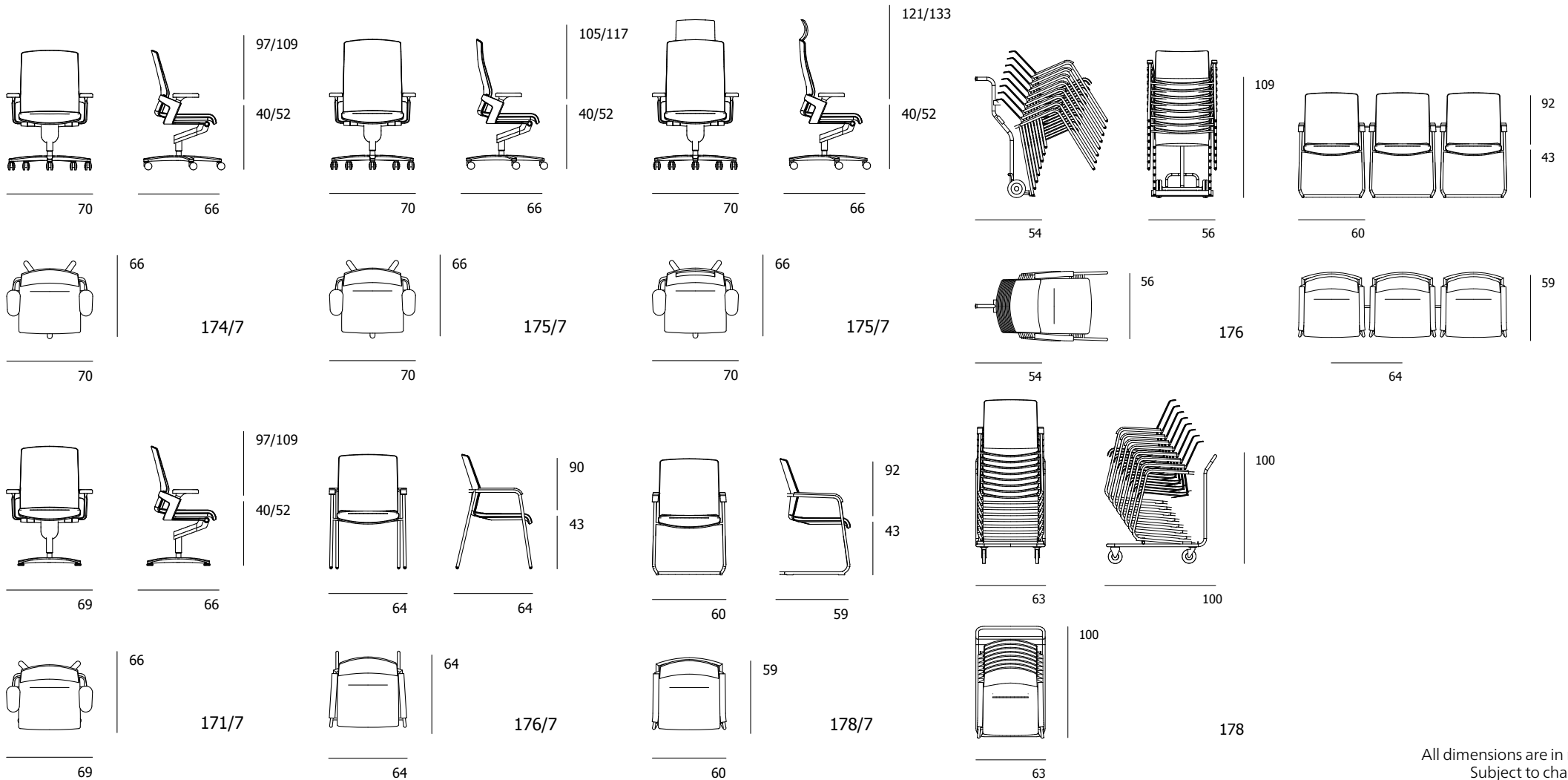


Mechanism cover coated silver

- Further frame types not pictured
- Coated star base
 - Polished aluminium swivel arms
 - Mechanism cover coated black

ON. 170 range. Models and dimensions.

Wilkhahn



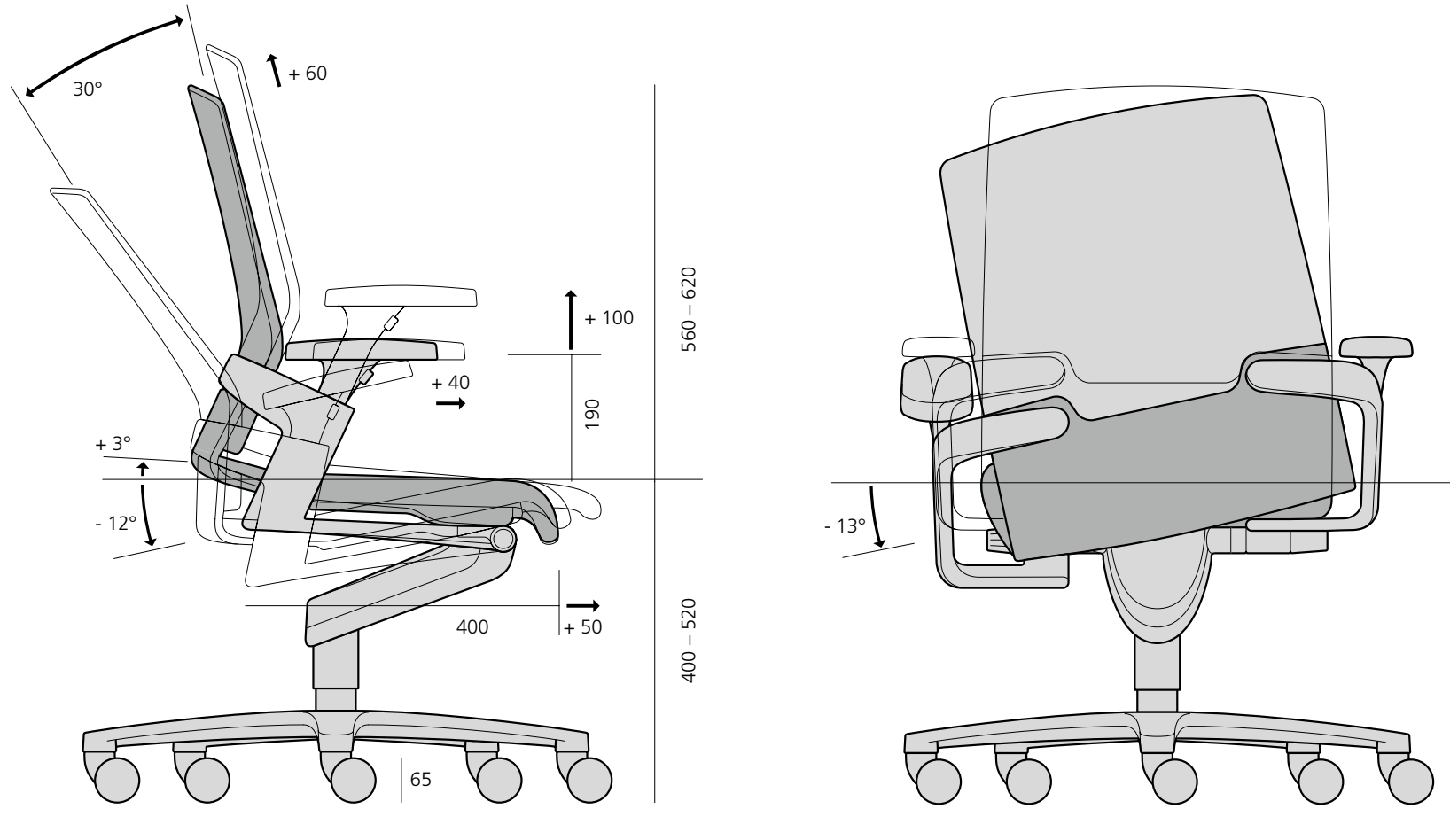
All dimensions are in mm.
Subject to change.

ON. 170 range. Models and dimensions.

Wilkhahn

Trimension® lies at the heart of ON. It consists of the coordinated interaction of a two-part mechanism and an extremely flexible seat and back design (Flexframe®) and the Fiberflex back cover. This permanently elastic and breathable fabric adapts to any shape of back and any posture – just like a second skin. Two separately flexible swing plates, just like two thighs, are connected near to the knees via a rotational axis. In the same position as the hip joints, they form fully flexible suspensions for the seat and backrest. The pivotal sections' positions and movement follow the knee and hip joints. Consequently, a completely natural flow of movement is encouraged that becomes a matter of course. In any position, the body's centre of gravity stays between the pivotal sections and therefore in perfect balance. Flexibility, elasticity and the breathable materials merge to provide excellent comfort without any additional cushioning.

Synchronous forwards and backwards movements allow a tilt angle of $+3^\circ$ to -12° in the seat and up to 30° in the back. The seat and back can be tilted sideways by up to 13° . Anybody weighing between 45 – 120 kg can infinitely and quickly adjust the counterpressure in any direction to achieve their own personal levels of comfort.



660

All dimensions in mm.
Subject to change.

ON. 170 range. Awards / standards / certificates.

Wilkhahn

Awards



Product certificates / product standards



Not all certificates / standards apply to all types.

You can find our text modules for tenders in our media centre [media center](#)

Company's certificates



Environment and product

Healthy, compact and service friendly

The new seating concept encourages a free range of motion. As a result our metabolism is improved (which is the most important factor in our feeling of well-being). And all the benefits this entails in terms of social interaction, business and economic performance. Durability of the form, function and material are the foundations for economic and ecological sustainability. This includes the ability to retrofit additional features, a service-friendly design with modular exchangeability of the seat upholstery panel, backrest, covers and expendable parts. When developing the chair, emphasis was placed from very beginning in ensuring maximum recyclability of the materials – as far as technically possible. After the end of its useful life, 96% of ON can be recycled. Due to the tool-free, knock-down assembly of the backrest, the transportation volume is reduced by about 45% compared with other conventional packaging types. This allows facility management customers to keep a large space-saving range in stock (with different seat and backrests).

- The materials marry extreme precision with robust stability. The star bases consist optionally of die-cast aluminium, or through-dyed, fibreglass reinforced polyamide and the swing plates of die-cast aluminium. The flexible seat shell and seat upholstery panel are made of polypropylene, the back frame and the armrests of fibreglass-reinforced polyamide, optionally with pads made of polyurethane elastomer or polyurethane foam. The mechanism housing is made of die-cast aluminium with polypropylene top cover. All aluminium and polypropylene components comprise a maximum of recycled materials and can be fully recycled at a later date.
- The seat cushions are made of CFC-free covered polyurethane. In addition to the seat upholstery panel, they can also be replaced, along with the cover to the back frame of permanently elastic, breathable 3D polyester fabric.
- The adjustment and motion functions are simplicity itself and offer ease of use. Consequently, if a chair wears out it can be easily repaired or retrofitted to extend its useful life.

The worldwide new standard in three-dimensional dynamic seating is equally straightforward and high quality. Due to innovative design the number of parts has been reduced. The integrated multiple functions are eco-friendly and offer excellent value.

You can find our environmental product information in our [media center](#)

ON. 170 range. Accessories and other items.

Wilkhahn



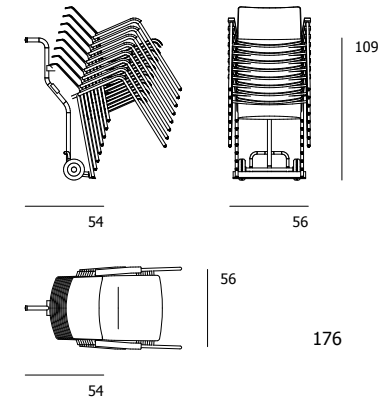
Seat-depth extension



Upholstered, leather-covered armrests



Anti-static castors



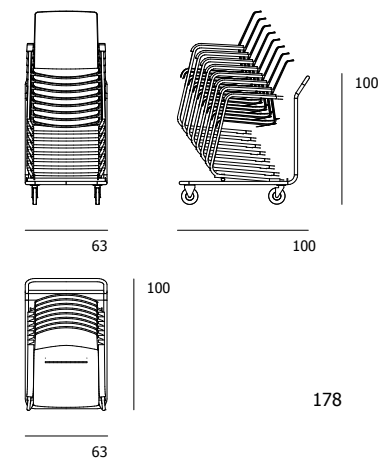
Two-wheeled cart (for 8 visitor chairs)



Armrests



Inline connectors (for model 176/7)



Four-wheeled trolley (for 8 cantilever chairs)

- Further accessories not pictured
- Without armrests
 - Polyurethane foam armrest pads
 - Model 176/7, armrests leather upholstered