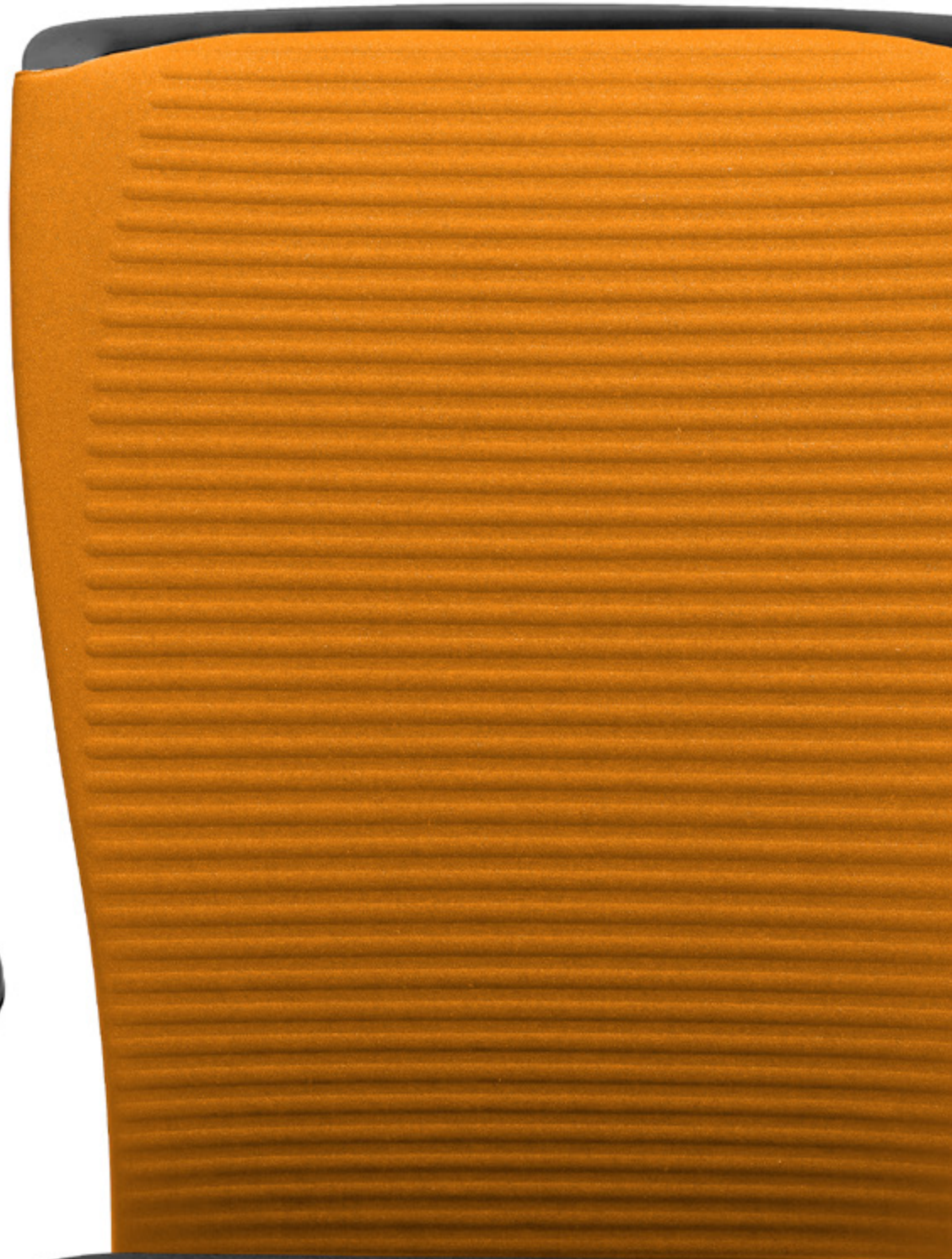




re**start**

NOTE



SitLand<sup>®</sup>

# A DESIGN NOTE IN THE OFFICE

Note is the operative chair of unique design. Simple to use and highly breathable, Note is a product characterised by innovative colours and materials, that easily adapts to any functional need.



## MECHANICS OF COMFORT

Note features an advanced synchro mechanism that allows adjusting the seat and back tilt angle, lockable in 5 positions with the anti-shock system. The tilt tension can be adjusted by a practical side handle, according to the user's weight. Note chair can also be adjusted in depth, as required.

## ASSISTED MOVEMENTS

Note seat moves in tune with its user thanks to the possibility to adjust the depth and lock it in the required position through a practical side button.

## ERGONOMIC AND BREATHABLE

Note back is available with mesh or technical upholstery. In the Air version, the mesh upholstery ensures utmost breathability. In the technical version, the back consists of a membrane in shaped foam elastomer with multi-stripped geometric pattern, available in different materials and colours. Both back versions are highly elastic and adapt to the user's posture, ensuring utmost comfort.

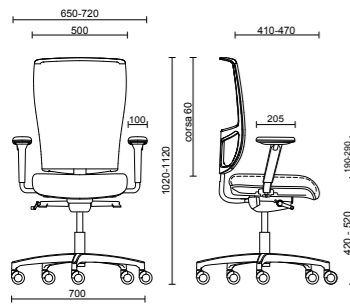
## COMFORTABLE

For improved comfort, Note seat pad is in flexible cold injected polyurethane foam, crushproof, with "Comfort-Air" technology. The ergonomic back features an Up&Down system that allows adjusting the height and upon request, an orientable headrest with adjustable height is available, in the same material of the seat.

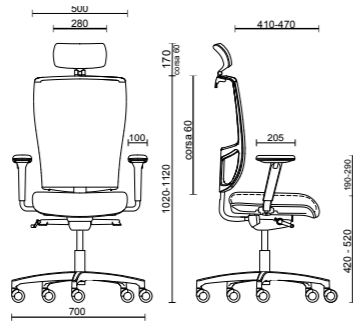
## A COLLECTION WORTHY OF MENTION

Different types of upholstery, armrests, bases, casters and the optional headrest offer the possibility to choose the most suitable version for your needs.

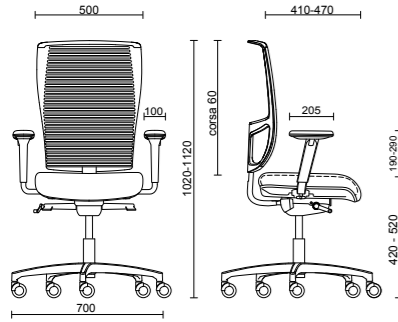
## MODELS AND DIMENSIONS



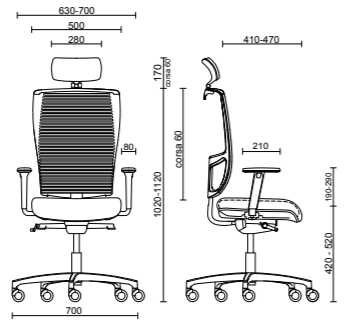
Note Air operative



Note Air executive with headrest



Note operative with headrest and thin-ripple pattern in the back



Note executive high back with headrest and thin-ripple pattern in the back

## MECHANISM

	EXECUTIVE	OPERATIVE
Synchro mechanism for the seat/back regulation, lockable in 5 positions, anti-panic system, body weight adjustment by means of a side handle, with spring to return automatically to the initial position.	<input type="checkbox"/>	<input type="checkbox"/>
Gas lift seat height adjustment.	<input type="checkbox"/>	<input type="checkbox"/>

## ARMS



Pair of 4D arms, adjustable in height by means of a lateral button and in width by means of a knob underneath the seat, supports in die-cast aluminium, polished, top in soft polyurethane pivoting left/right and adjustable in depth



Pair of 4D arms, adjustable in height by means of a button, and in width by means of a knob, underneath the seat; supports in polyamide, black colour top with soft-touch finish, in soft TPE pivoting left/right and adjustable in depth



Pair of 2D arms, adjustable in height by means of a button and in width by means of a knob underneath the seat; supports in black polyamide, fixed top with soft-touch finish, in soft TPE

## BASES



High resistance 5-star base in black nylon with strengthening steel ring, ø 700 mm.



5-star die-cast aluminium base, polished, ø 700 mm.

## CASTERS



Self-braking rubber casters ø 50 mm for hard floors, black structure.



Free casters ø 50 mm, black structure.



Self braking casters ø 50 mm, black structure.



Self-braking rubber casters, ø 65 mm for hard floors.



Hollow free and rubber casters, ø 65 mm for hard floors, chromed structure.



Hollow free and rubber casters, ø 65 mm for hard floors, black structure.

## COLOURS, MATERIALS, FINISHING \*

### PLASTIC FINISHING



Black polyamide

### NOTE AIR SEAT UPHOLSTERIES



Fabric AB Xtreme Plus 19 colours



Fabric BN 12 colours



Fabric ME 21 colours



Fabric FE 21 colours



Fabric IP 19 colours



Technical fabric CI-CX 26 colours



Mesh RR 11 colours



Leather S 13 colours



Ecological leather N 13 colours

### SEAT UPHOLSTERY FOR NOTE WITH TECHNICAL UPHOLSTERIES



Fabric AB Xtreme Plus 19 colours



Fabric BN 12 colours



Fabric ME 21 colours

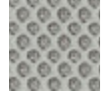


Fabric FE 21 colours



Fabric IP 19 colours

## NOTE AIR BACK AND HEADREST UPHOLSTERY



Mesh  
RR  
9 colours

## BACK AND HEADREST UPHOLSTERIES FOR NOTE WITH THIN-RIPPLE PATTERN IN THE BACK



Fabric  
AB Xtreme Plus  
3 colours



Fabric  
BN  
3 colours



Fabric  
IP  
4 colours



Fabric  
ME  
4 colours

\* Please refer to the Price list in force and to the General sale conditions for the colours and the combinations available for every single product. Colours shown are used for reference only and may look different in reality. Please contact SitLand to receive more information.

## PCON.PLANNER



It will be possible to configurate our model Note by using pCon.planner program for the design of 2D an 3D environment.

pCon.planner allows to design working solutions in a fast and intuitive way, creating "realistic" images with advanced features, with a considerable saving of time and resources.

It is easy to start using pCon.planner: after downloading the software in the proper page, it is possible to download pCon.catalog, the practical online catalogue of products ready to be set up according to anyone's need, and then include the products in the projects.

For more information on the use of pCon.planner and the access to the products of the SitLand's catalogues, please contact [com@sitland.com](mailto:com@sitland.com)

## WARRANTY



Note has 5 years warranty. For any further detail, please contact SitLand's customer service at [service@sitland.com](mailto:service@sitland.com)

## MORE INFORMATIONS

Please look through our catalogue to see all the different versions available of Note

[http://www.sitland.com/sitland\\_catalogues/sitland\\_general\\_catalogue/sitland\\_general\\_catalogue.html#p=40](http://www.sitland.com/sitland_catalogues/sitland_general_catalogue/sitland_general_catalogue.html#p=40)

or see our Note page into our web site [www.sitland.com](http://www.sitland.com)

## D.Lgs. 81/2008

Note comply with the italian norm D.Lgs. 81/2008.

## UNI EN 1335 CERTIFICATION

Note complies with the norm UNI EN 1335-3

The work conditions and the protection of the people at work, as far as safety and health are concerned, provide that "the office chairs" are produced according to the ergonomic principles and the functionality requirements contained in the following norms:

- UNI EN 1335-1, dimensions and definitions of the dimensions;
- UNI EN 1335-2, safety requirements;
- UNI EN 1335-3, test procedures for the safety.

The chairs are classified in three different classes according to their specific performance and dimensional characteristics:

- Class A considers the more restrictive dimensional requirements and mostly respect the anthropometric dimensions from 5 to 95% of the population.
- Class B considers the middle requirements among the classes, respecting the minimum requirements requested by D.Lgs. 81/2008.
- Class C considers the minimum requirements.

The tests performed are:



on the model Note executive.

# SitLand®

SitLand S.p.A.  
Via Cà Silvestre, 52  
36024 Nanto - Vicenza - Italy  
info@sitland.com - www.sitland.com  
Tel. +39 0444 637100



SitLand S.p.A. is certified  
UNI EN ISO 9001: 2008  
UNI EN ISO 14001: 2004

Follow us on:

